

# Zimmer® Patient Helper HD

For Hill-Rom CareAssist,  
Advanta II & 1000 Beds



The Zimmer Patient Helper HD (Heavy Duty) is designed for patients weighing up to 400 pounds. The assistive device features an adjustable height and can also be adjusted from left to right to assist patient movement within the bed.

The Zimmer Patient Helper HD fits the following beds:

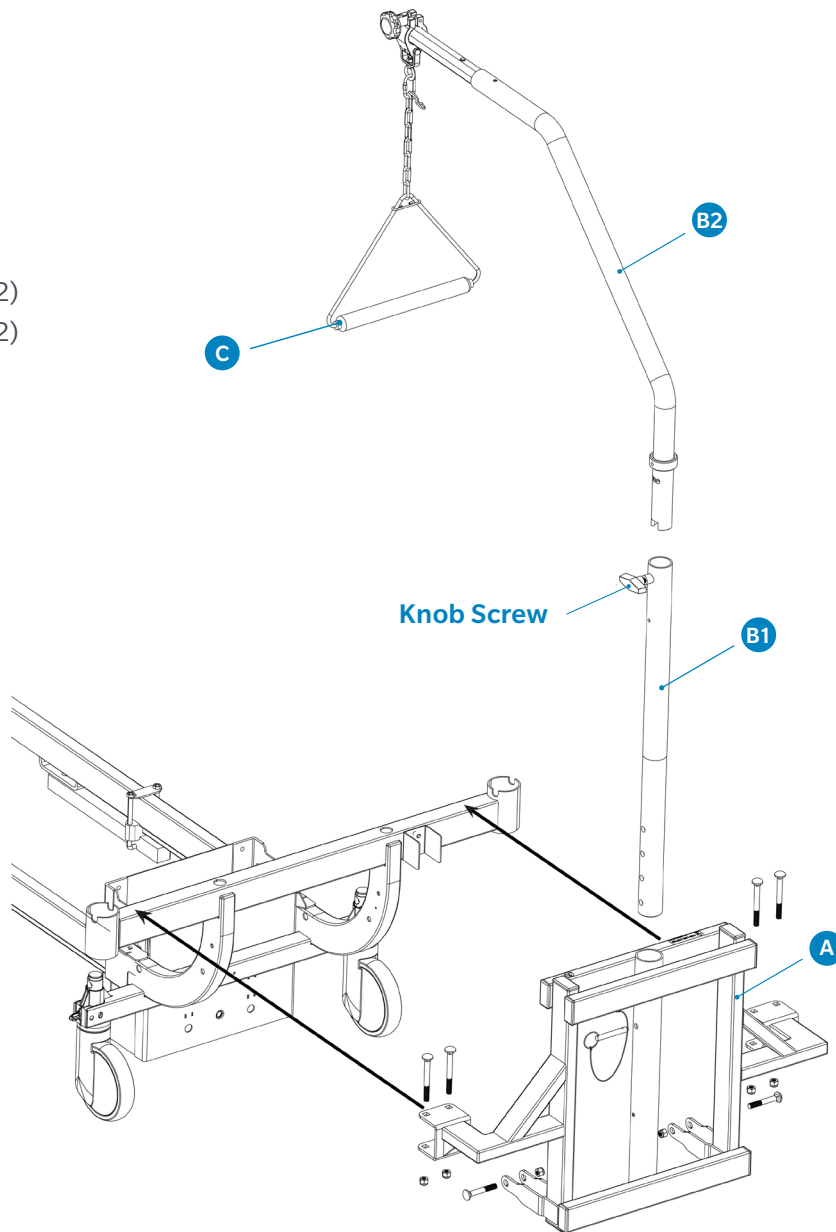
- Hill-Rom CareAssist Bed
- Hill-Rom Advanta II Bed
- Hill-Rom 1000 Bed

## Features

- Multi-part overhead bar design
- Designed for patients weighing up to 400 pounds
- Adjustable height
- Adjustable left and right
- Trapeze design
- No tools required for set-up or removal

Note: The Zimmer Patient Helper HD is not intended to be a total suspension device.

- A: Frame Adapter
- B1: Overhead Bar (section 1 of 2)
- B2: Overhead Bar (section 2 of 2)
- C: Trapeze, Heavy Duty



### Ordering Information

#### Zimmer Patient Helper HD (Heavy Duty)

Patient Helper HD Overhead Bar	00-0965-021-00
Patient Helper HD Frame Adapter	00-0965-022-00
Trapeze, Heavy Duty	00-0640-003-00

**For more information,  
contact your Surgical  
representative.**

This documentation is intended exclusively for physicians and is not intended for laypersons. Information on the products and procedures contained in this document is of a general nature and does not represent and does not constitute medical advice or recommendations. Because this information does not purport to constitute any diagnostic or therapeutic statement with regard to any individual medical case, each patient must be examined and advised individually, and this document does not replace the need for such examination and/or advice in whole or in part. Please refer to the package inserts for important product information, including, but not limited to, indications, contraindications, warning, precautions, and adverse effects.

Hill-Rom®, CareAssist®, and Advanta™ are trademarks of Hill-Rom Services, Inc.

©2017 Zimmer Biomet

[www.zimmerbiomet.com](http://www.zimmerbiomet.com)



**ZIMMER BIOMET**

Your progress. Our promise.™

0187.2-US-en-REV0117