

Zimmer® Patient Helper HD

For Hill-Rom VersaCare Bed



The Zimmer Patient Helper HD (Heavy Duty) is designed for patients weighing up to 400 pounds. The assistive device features an adjustable height and can also be adjusted from left to right to assist patient movement within the bed.

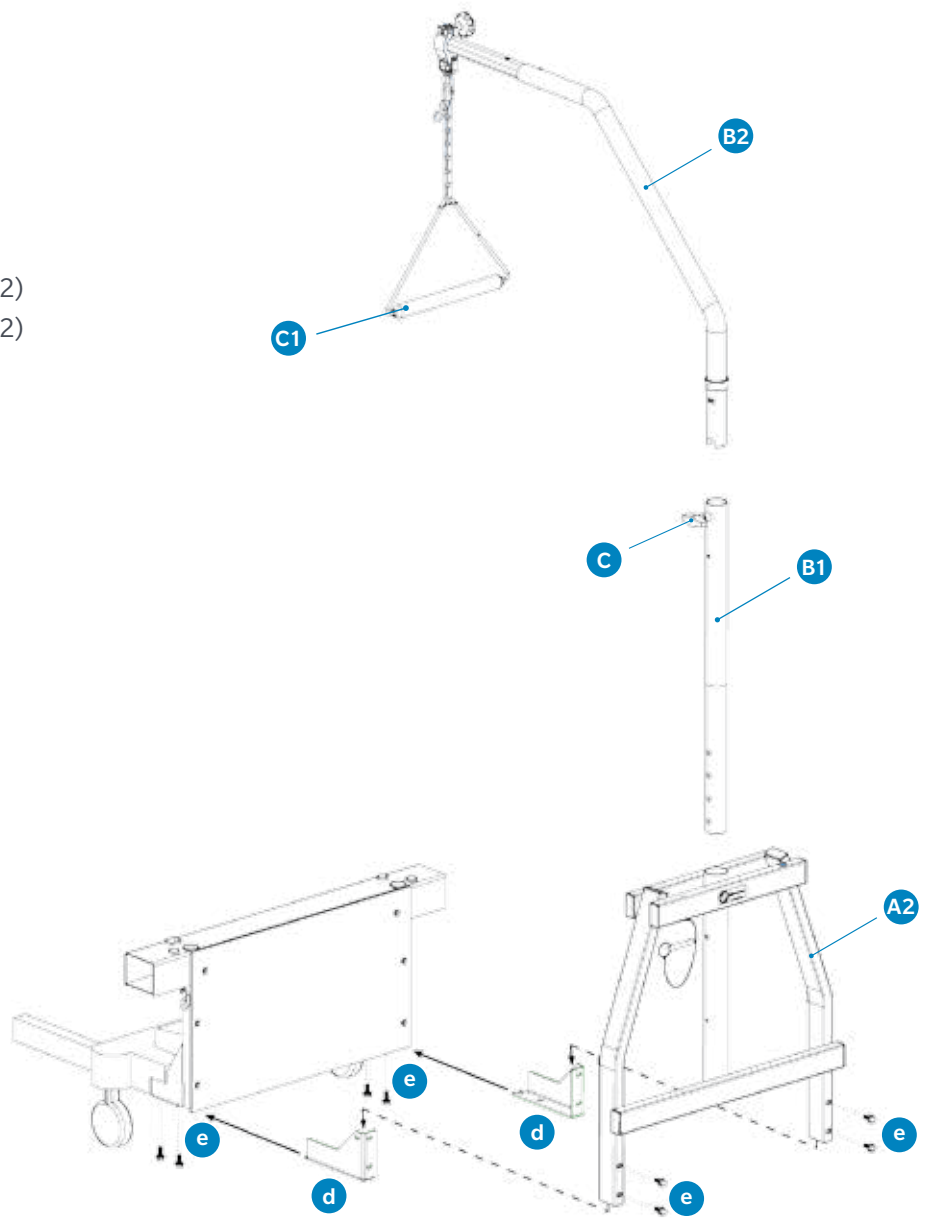
The Zimmer Patient Helper HD is an available option for traction setups for the Hill-Rom VersaCare Bed.

Note: The Zimmer Patient Helper HD is not intended to be a total suspension device.

Features

- Multi-part overhead bar design
- Designed for patients weighing up to 400 pounds
- Adjustable height
- Adjustable left and right
- Trapeze design
- No tools required for set-up or removal

- A2: Frame Adapter
- B1: Overhead Bar (section 1 of 2)
- B2: Overhead Bar (section 2 of 2)
- C1: Trapeze, Heavy Duty
- c: Knob Screw
- d: Foot Brackets
- e: 3/4" Bolts



Ordering Information

Zimmer Patient Helper HD (Heavy Duty)

Patient Helper HD Overhead Bar	00-0965-021-00
Patient Helper HD Frame Adapter	00-0965-023-00
Trapeze, Heavy Duty	00-0640-003-00

Contact your Zimmer Biomet representative or visit us at www.surgical.zimmer.com.



This documentation is intended exclusively for physicians and is not intended for laypersons. Information on the products and procedures contained in this document is of a general nature and does not represent and does not constitute medical advice or recommendations. Because this information does not purport to constitute any diagnostic or therapeutic statement with regard to any individual medical case, each patient must be examined and advised individually, and this document does not replace the need for such examination and/or advice in whole or in part. Please refer to the package inserts for important product information, including, but not limited to, indications, contraindications, warning, precautions, and adverse effects.

Hill-Rom® and VersaCare® are trademarks of Hill-Rom Services, Inc.

©2015 Zimmer Biomet

www.zimmerbiomet.com