



Zimmer FuZion™ Instruments

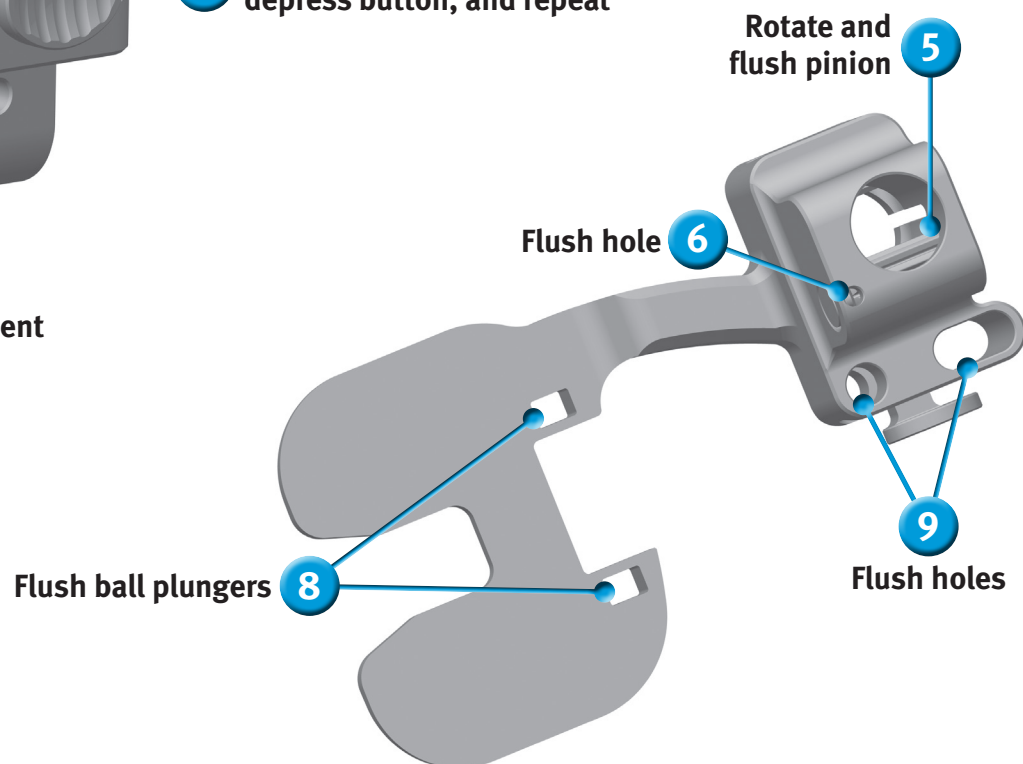
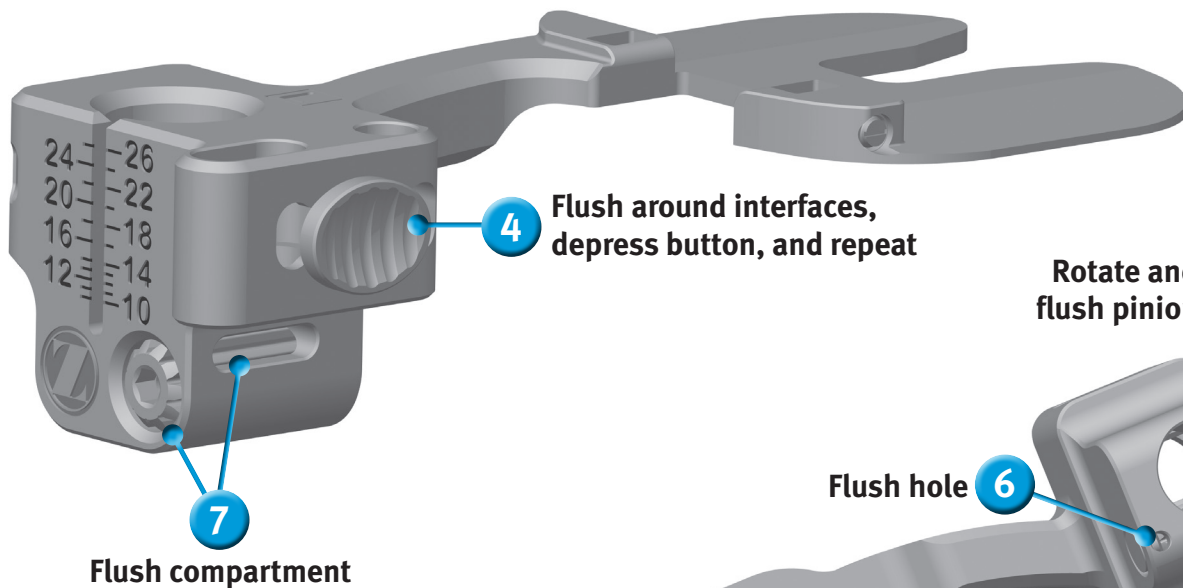
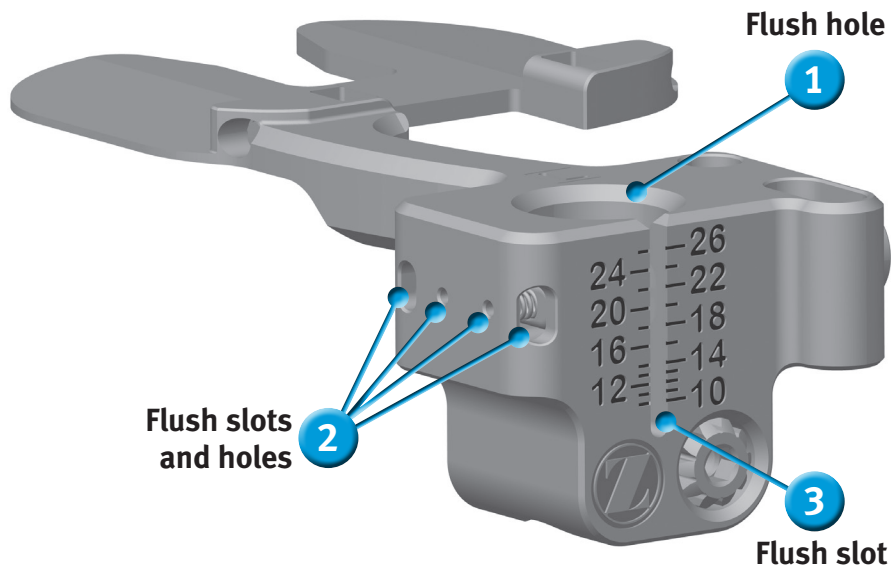
Tensor Tibial Assemblies

42-5097-021-01

42-5097-022-01

Cleaning Instructions

*42-5097-021-01 Shown



97-5026-112-00 10/15/14 © 2014 Zimmer, Inc.